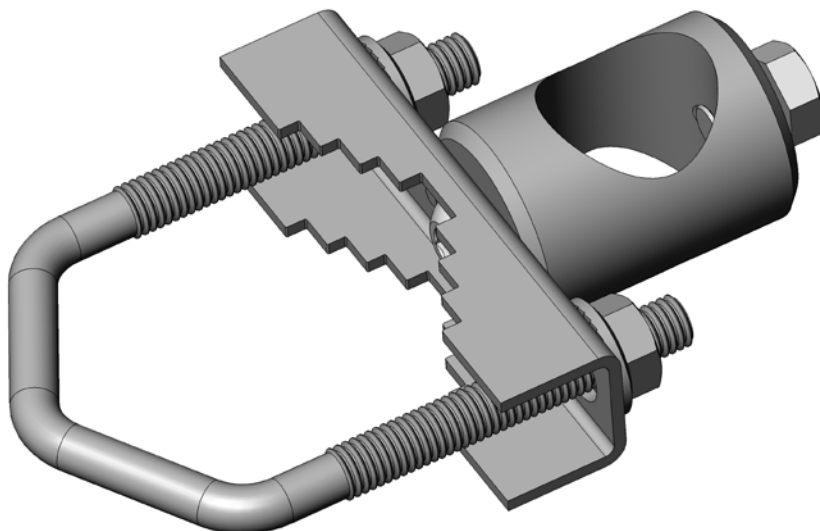


PAGE 1/2	ISSUE <b>1528</b>	SERIES <b>ANTENNA</b>	PART NUMBER <b>MD15-006</b>
----------	-------------------	--------------------------	-----------------------------



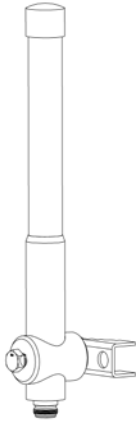
**MECHANICAL CHARACTERISTICS**

Mast Diameter: .....	<b>.75-2</b> Inches
Antenna Diameter : .....	<b>1</b> Inch
Weight: .....	<b>.45</b> Lbs

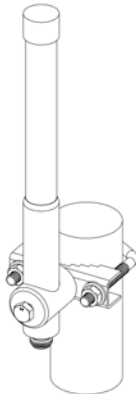
Product in Conformity with the RoHS (Restriction of Hazardous Substances) and WEEE (Waste Electrical and Electronic Equipment) requirements.

Installation Guidelines Using MD15-006 Clamping Mount Bracket

1. Position antenna into mount bracket. Tighten bolt using 13 mm wrench.



2. Position antenna mount assembly onto pole and install v-bolt. Install nuts and tighten using 13 mm wrench. Pole size .75 to 2 inch diameter.



3. Wall mount antenna by placing antenna mount assembly against wall. NOTE: Wall mount hardware (Not Included) must be adequate for the material it is going into. Do not use v-bolt for wall mount application.

